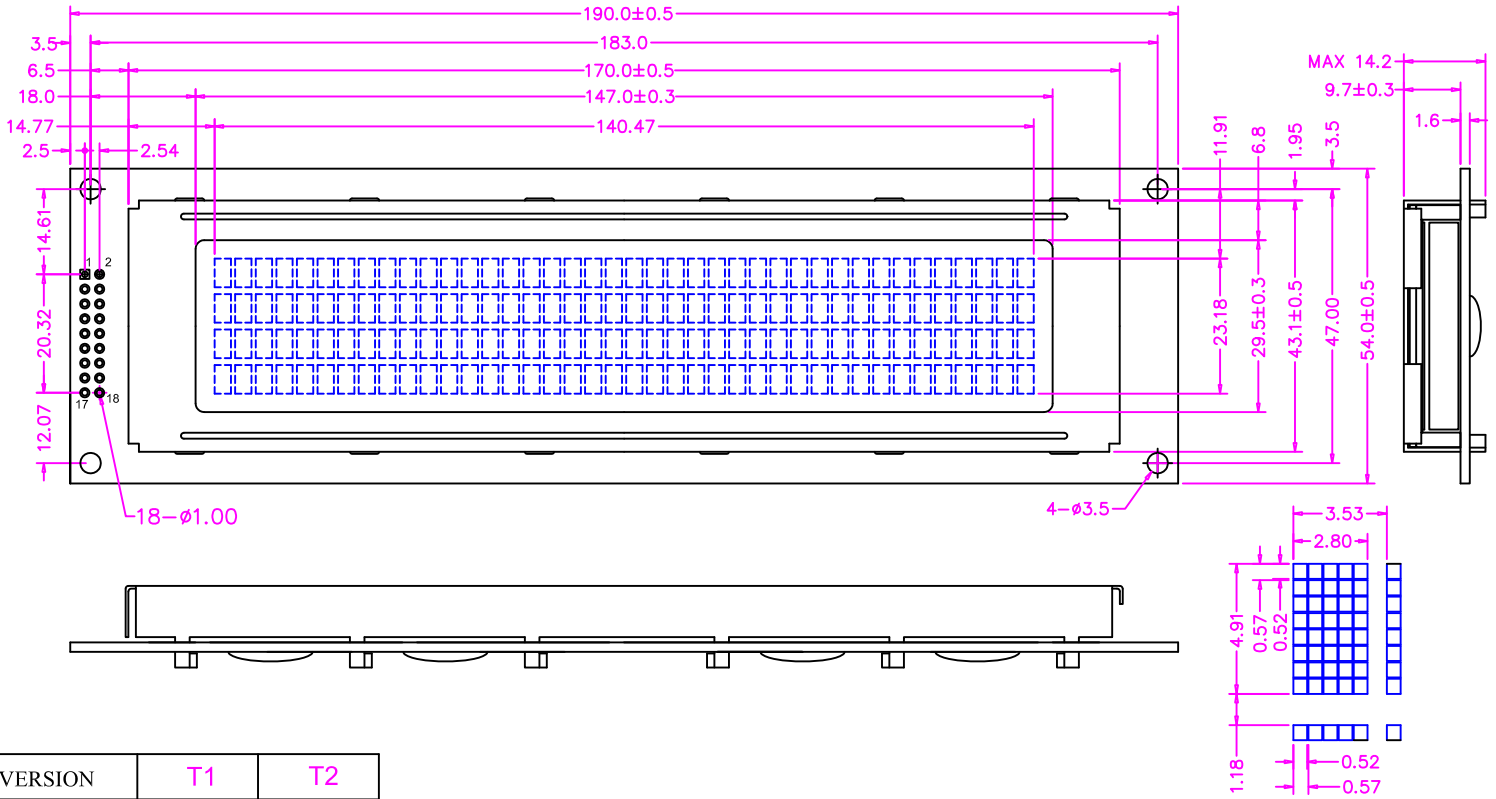


① External Dimensions



VERSION	T1	T2
LED BackLight	9.7 ± 0.3	MAX 14.2
No BackLight	4.7 ± 0.3	MAX 9.2

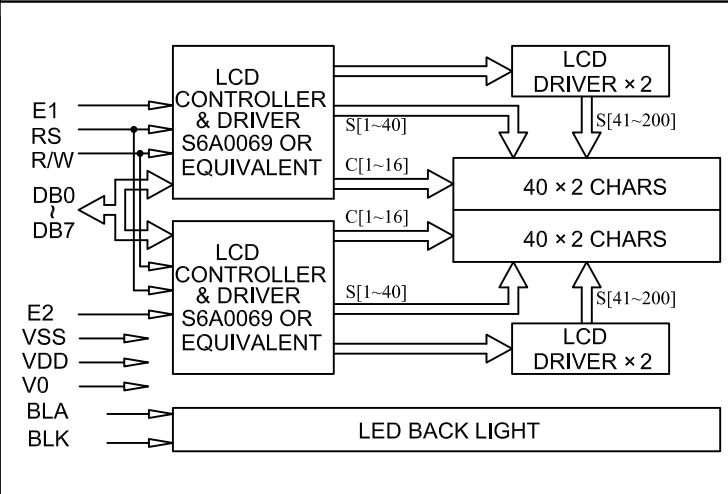
② Electrical Characteristics

ITEM	Symbol	Condition	Min.	Typ.	Max.	Unit
Operating Voltage	VDD	Ta=25° C		5.0		V
Operating Voltage for LCD	VDD-V0	Ta=25° C		4.5		V
Supply Current	IDD	VDD=5.0V		4.0		mA

③ Pin Configuration

Pin	Symbol	Level	Description
1	DB7	H/L	Data Bus
2	DB6	H/L	
3	DB5	H/L	
4	DB4	H/L	
5	DB3	H/L	
6	DB2	H/L	
7	DB1	H/L	
8	DB0	H/L	
9	E1	H, H→L	Read/write enable
10	R/W	H/L	Read/Write Select
11	RS	H/L	Register select input pin
12	V0	-	Voltage For LCD Panel Drive
13	VSS	0V	Power GND
14	VDD	+5V	Supply Voltage for logical circuit
15	E2	H, H→L	Read/write enable
16	NC	-	Non-Connection
17	BLA	+5V	LED BACKLIGHT +
18	BLK	0V	LED BACKLIGHT -

④ Block Diagram



⑤ Example Power Supply

